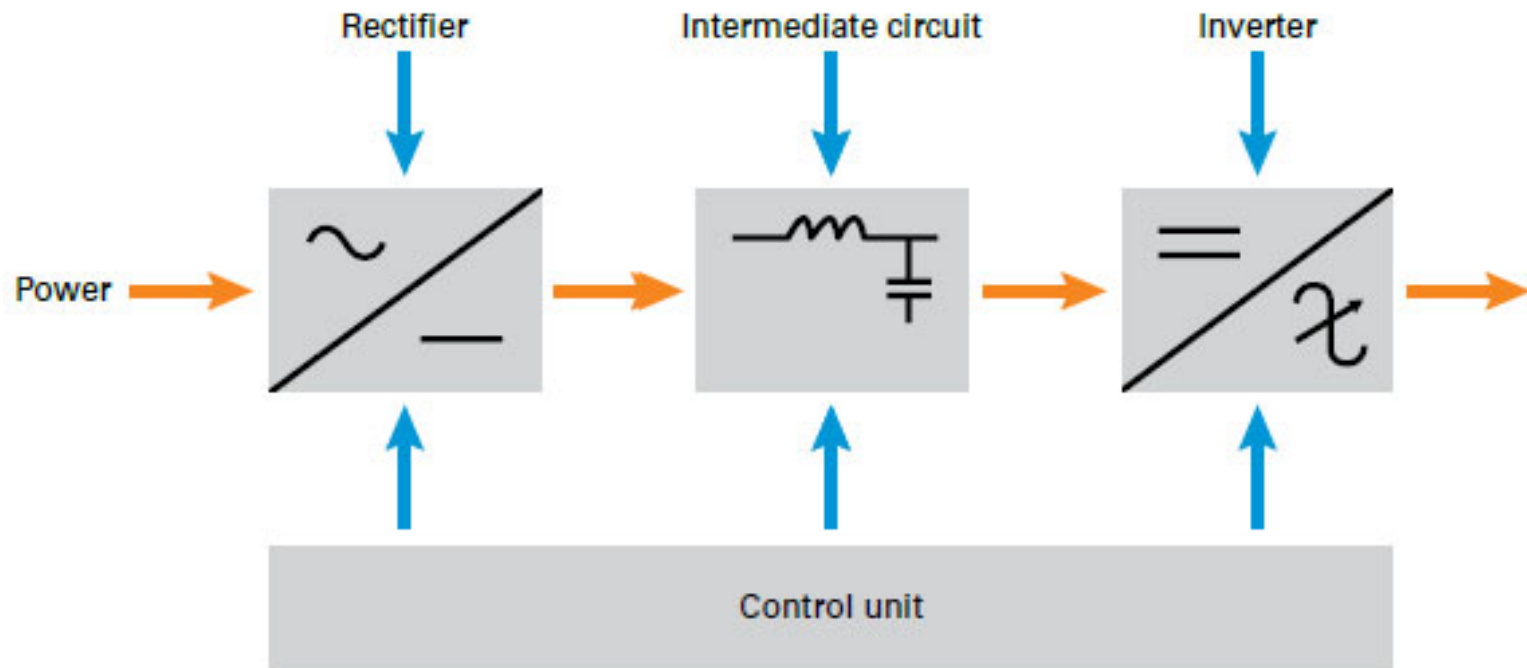


# Session 5: The Regenerative power of lifts

Presentation 52:  
Storage of Regenerated Power

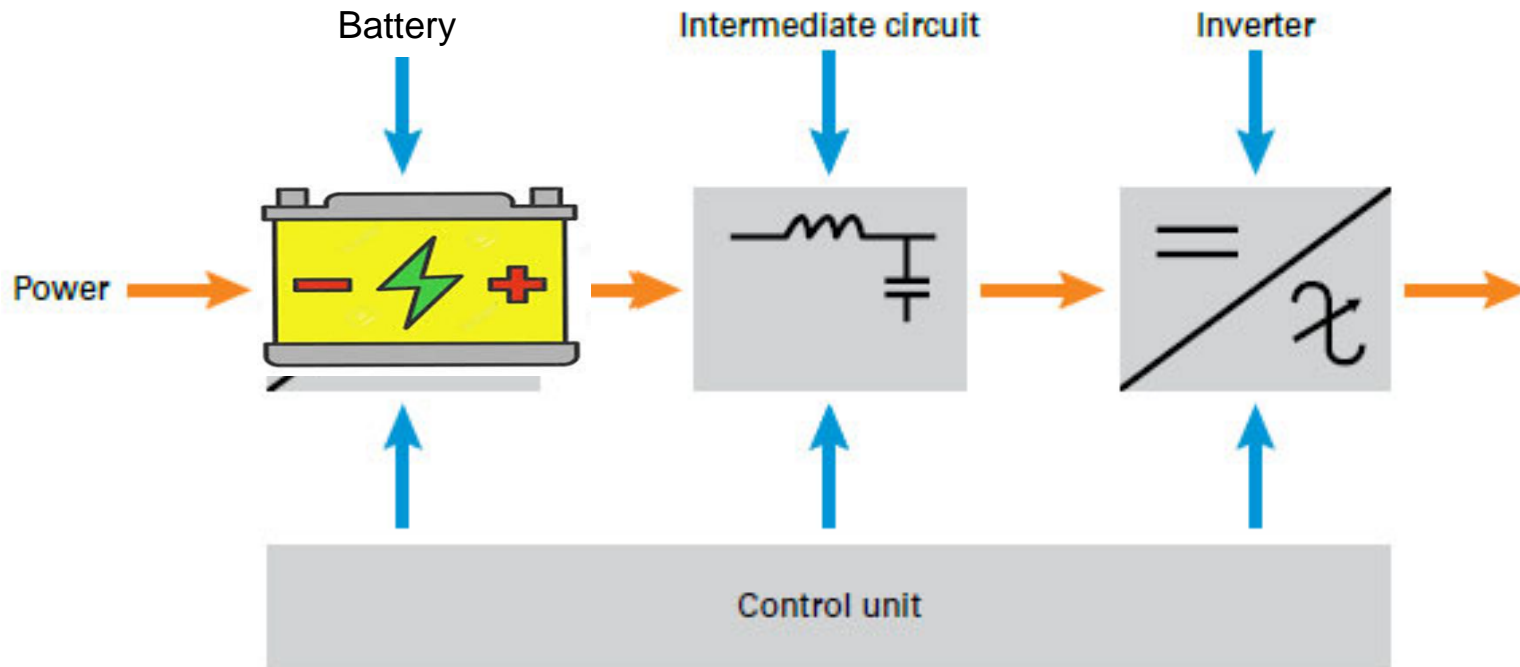
**Mr. Sarkis Abdallah – OTIS Lebanon**

# Conventional VVVF Inverter



# What If we?

## Switch



# Presentation 52: SWITCH from OTIS

Mr. Sarkis Abdallah – Otis Lebanon

# GeN2 Switch Elevator

For OTIS GeN2 Switch, Single Phase Installation is required

Voltage

220 Volts  
50 Hertz

Absorbed Intensity

1.5 A

Power

500  
Watts



# GeN2 Switch Elevator

**GeN2 Switch is a highly efficient, functional elevator, suitable for residential buildings :**



## Easy to Install

- Plugged in like any domestic appliance

## Safe in the event of power cut

- Continues to work as normal for an extended period of time without power supply from the mains due to the UPS online feature.

## An energy generator

- Generates energy when it travels up empty or travels down loaded, thus achieving savings in the electricity bill.

1 – 30 Avril & 2 MAI 2019

# Normal Mode



In the normal mode, the battery supplies power to the motor through the ReGen Drive.

# Regenerating Mode



When batteries are full, the energy is consumed in breaking resistance.



# Power Out Mode



When power is cut, the battery supplies power to the motor.



# GeN2 Switch Limitation

<b>Entrances</b>	<b>One or Two</b>
<b>Maximum Rise</b>	<b>21 meters</b>
<b>Maximum number of stops</b>	<b>7 stops</b>
<b>Speed</b>	<b>Up to 1 m/s</b>
<b>Duty Load</b>	<b>Up to 630 Kgs</b>

**THANK YOU**

**MERCI**



**fisuel**